

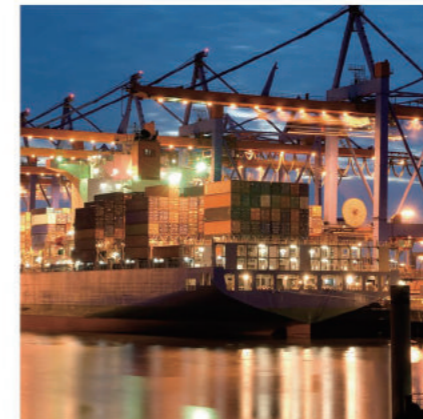


PCK LIGHTING
www.pcklighting.com



PRODUCTS FOR HAZARDOUS AND HARSH LOCATIONS

Safe / Reliable / Efficient



PCK LIGHTING

Made in China, Vietnam, Mexico, and USA

Zone 1&2

Explosion-proof Light



IP65/66



IK08/09/10



0-10V



5-Year Warranty



Zone 1&2

Explosion-proof Light



IP65/66



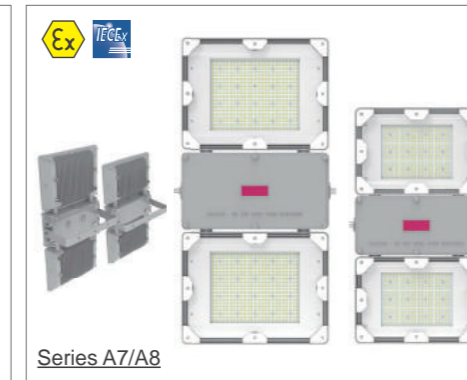
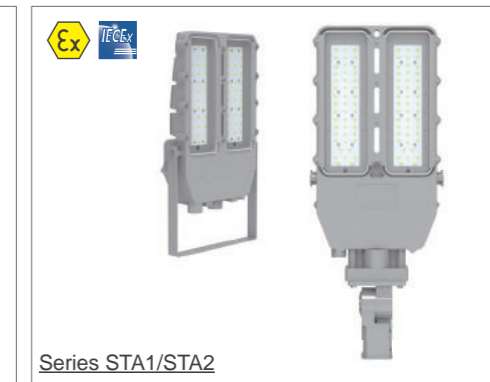
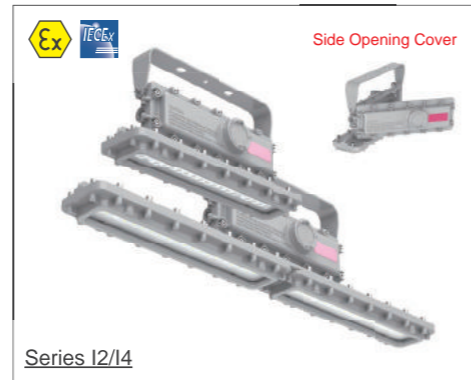
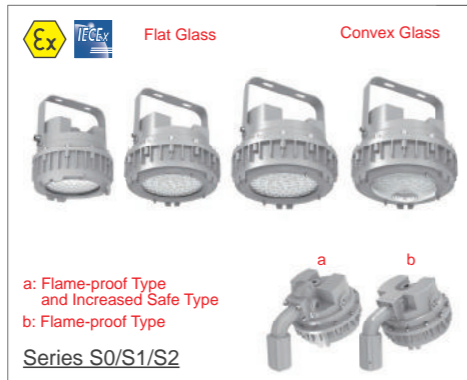
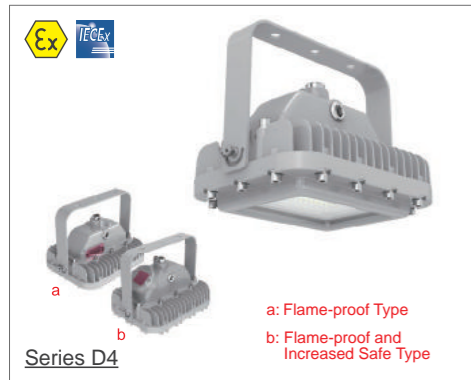
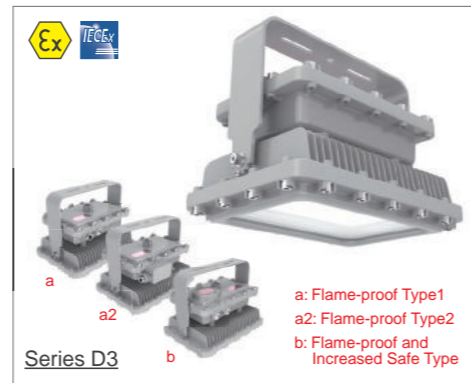
IK08/09/10



0-10V



5-Year Warranty

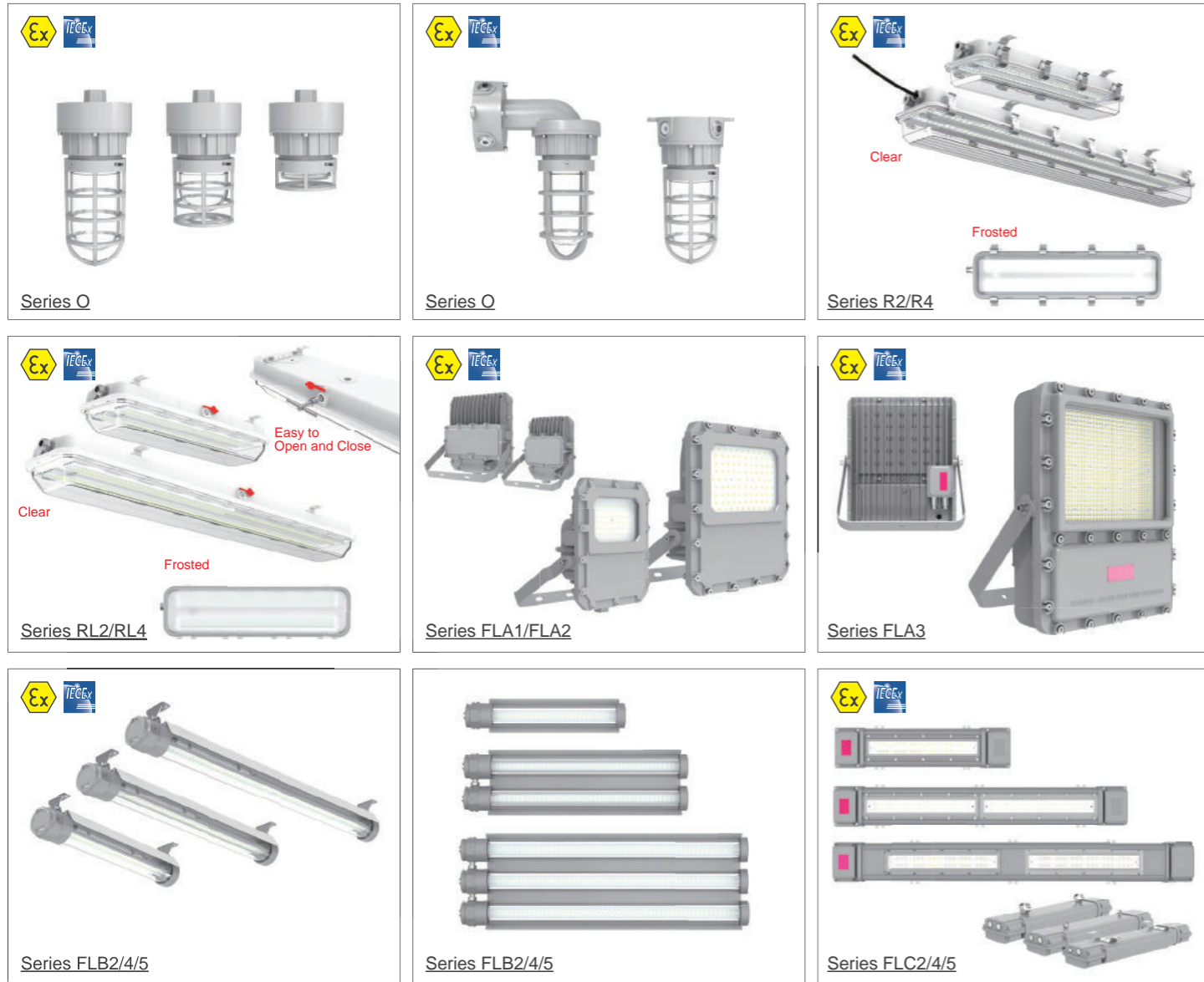


Model Number	A/A3/A4	B/B3/B4	C/C2/C3	D3/D4	S0/S1/S2	I2/I4
Wattage	60W - 150W (A) 120W - 240W (A3) 250W - 450W (A4)	60W - 150W (B) 120W - 240W (B3) 250W - 450W (B4)	20W - 80W (C2) 100W - 220W (C) 200W - 280W (C3)	20W - 100W (D4) 80W - 280W (D3)	20 - 80W (S0) 20 - 200W (S1) 100 - 280W (S2)	20W - 100W (I2) 20W - 200W (I4)
Efficiency	130lm/W (Zone 1) 160lm/W (Zone 2)	130lm/W (Zone 1) 150lm/W (Zone 2)	140lm/W	140lm/W (D4) 170lm/W (D3)	140lm/W	140lm/W
Hazardous Ratings	Zone 1&2, Zone 21&22	Zone 1&2, Zone 21&22	Zone 1&2, Zone 21&22	Zone 1&2, Zone 21&22	Zone 1&2, Zone 21&22	Zone 1&2, Zone 21&22

Model Number	L	K	STA1/2/4/5	IL	A5/A6A7/A8	A9/A10
Wattage	5W/10W (for LED Bulbs) 20W/30W/40W (for Incandescent Lamp)	20W - 40W (K1) 50W - 80W (K2)	120W - 240W (STA1) 50W - 120W (STA2) 30W - 60W (STA4) 50W - 100W (STA5)	5W - 12W	50W - 240W (A5) 50W - 120W (A6) 100W - 450W (A7) 100W - 240W (A8)	50W - 240W (A9) 50W - 120W (A10)
Efficiency	100lm/W	130lm/W	120lm/W - 140lm/W (STA1/2) 110lm/W - 130lm/W (STA4/5)	115lm/W	130lm/W (3500K-4000K) 140lm/W (4000K-6000K)	130lm/W (3500K-4000K) 140lm/W (4000K-6000K)
Hazardous Ratings	Zone 1&2, Zone 21&22	Zone 1&2, Zone 21&22	Zone 1&2, Zone 21&22	Zone 1&2, Zone 21&22	Zone 1&2, Zone 21&22	Zone 1&2, Zone 21&22

Zone 1&2

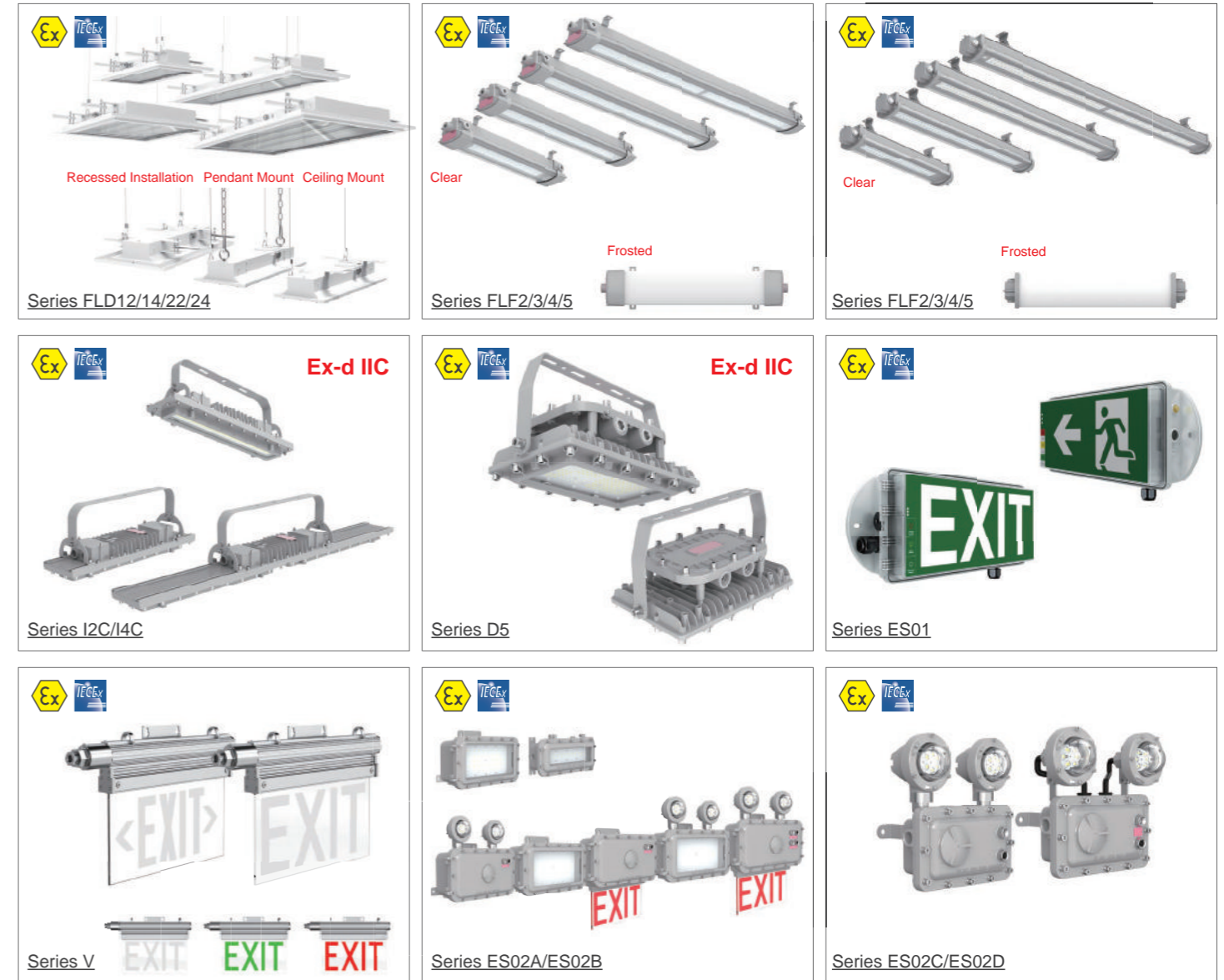
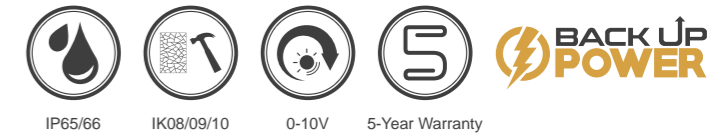
Explosion-proof Light



Model Number	O	R2/R4	RL2/RL4	FLA1/2/3	FLB2/4/5	FLC2/4/5
Wattage	10W - 30W	20W - 50W (R2) 30W - 80W (R4)	10W - 50W (RL2) 20W - 80W (RL4)	20W - 100W (FLA1) 50W - 200W (FLA2) 200W - 500W (FLA3)	3 X 20W (FLB2) 3 X 30W (FLB4) 3 X 40W (FLB5)	10W - 50W (FLC2) 20W - 100W (FLC4) 20W - 100W (FLC5)
Efficiency	100lm/W	130lm/W(Zone 1) 160lm/W(Zone 2)	130lm/W(Zone 1) 160lm/W(Zone 2)	130lm/W	133lm/W	130lm/W
Hazardous Ratings	Zone 1&2, Zone 21&22	Zone 1&2, Zone 21&22	Zone 1&2, Zone 21&22	Zone 1&2, Zone 21&22	Zone 1&2, Zone 21&22	Zone 1&2, Zone 21&22

Zone 1&2

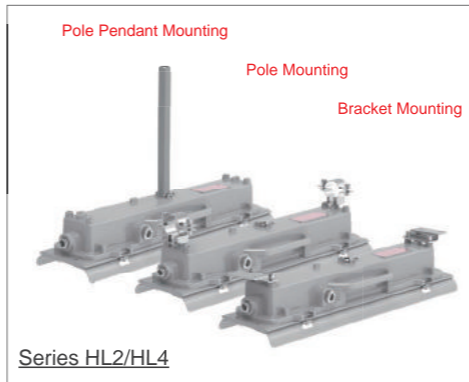
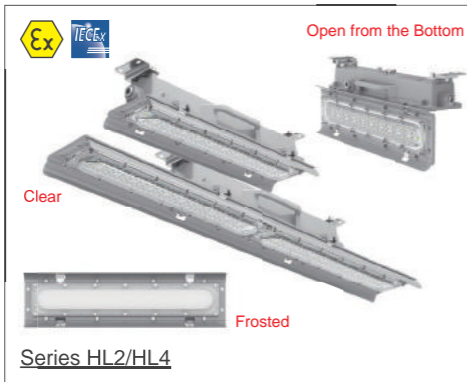
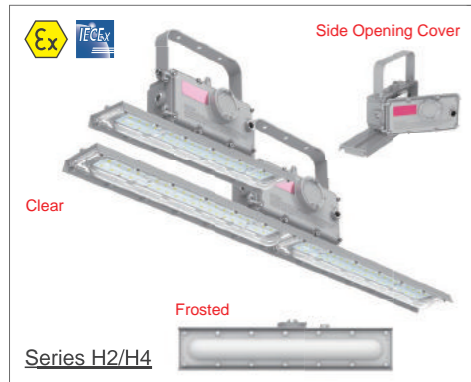
Explosion-proof Light



Model Number	FLD12/14/22/24	FLF2/3/4/5	I2C/I4C	D5	ES01/V	ES02A/B/C/D
Wattage	15W - 50W (FL12) 15W - 90W (FL14) 15W - 90W (FL22) 15W - 180W (FL24)	10W - 50W (FLF2) 20W - 60W (FLF3) 20W - 100W (FLF4) 20W - 100W (FLF5)	20 - 100W (I2C) 100 - 150W (I4C)	20 - 120W	10W (ES01: Max) 3W (V: Max)	5W - 20W (ES02A) 3W - 15W (ES02B) 6W - 12W (ES02C) 6W - 12W (ES02D)
Efficiency	120lm/W	108lm/W - 135lm/W	140lm/W	140lm/W	XXX	XXX
Hazardous Ratings	Zone 1&2, Zone 21&22	Zone 1&2, Zone 21&22	Zone 1&2, Zone 21&22	Zone 1&2, Zone 21&22	Zone 1&2, Zone 21&22	Zone 1&2, Zone 21&22

Zone 2

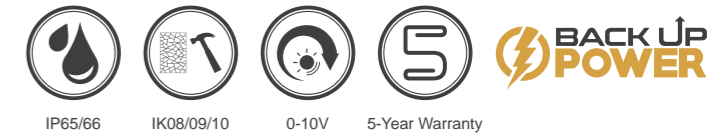
Explosion-proof Light Watt&CCT Tunable



Model Number	A/A2/A3/A4	B/B2/B3/B4	B5	Q1/Q2	H2/H4	HL2/HL4
Wattage	20W - 80W (A2) 60W - 150W (A) 120W - 240W (A3) 250W - 550W (A4)	20W - 80W (B2) 20W - 150W (B) 20W - 240W (B3) 150W - 550W (B4)	20W - 150W	20W - 150W (Q1) 20W - 240W (Q2)	20W - 40W (H2) 40W - 80W (H4) 20W - 100W (New H2) 40W - 200W (New H4)	20W - 100W (HL2) 40W - 200W (HL4)
Efficiency	160lm/W	150lm/W	150lm/W	150lm/W	160lm/W	160lm/W
Hazardous Ratings	Zone 2, Zone 21&22	Zone 2, Zone 21&22	Zone 2, Zone 21&22	Zone 2, Zone 21&22	Zone 2, Zone 21&22	Zone 2, Zone 21&22

Zone 2

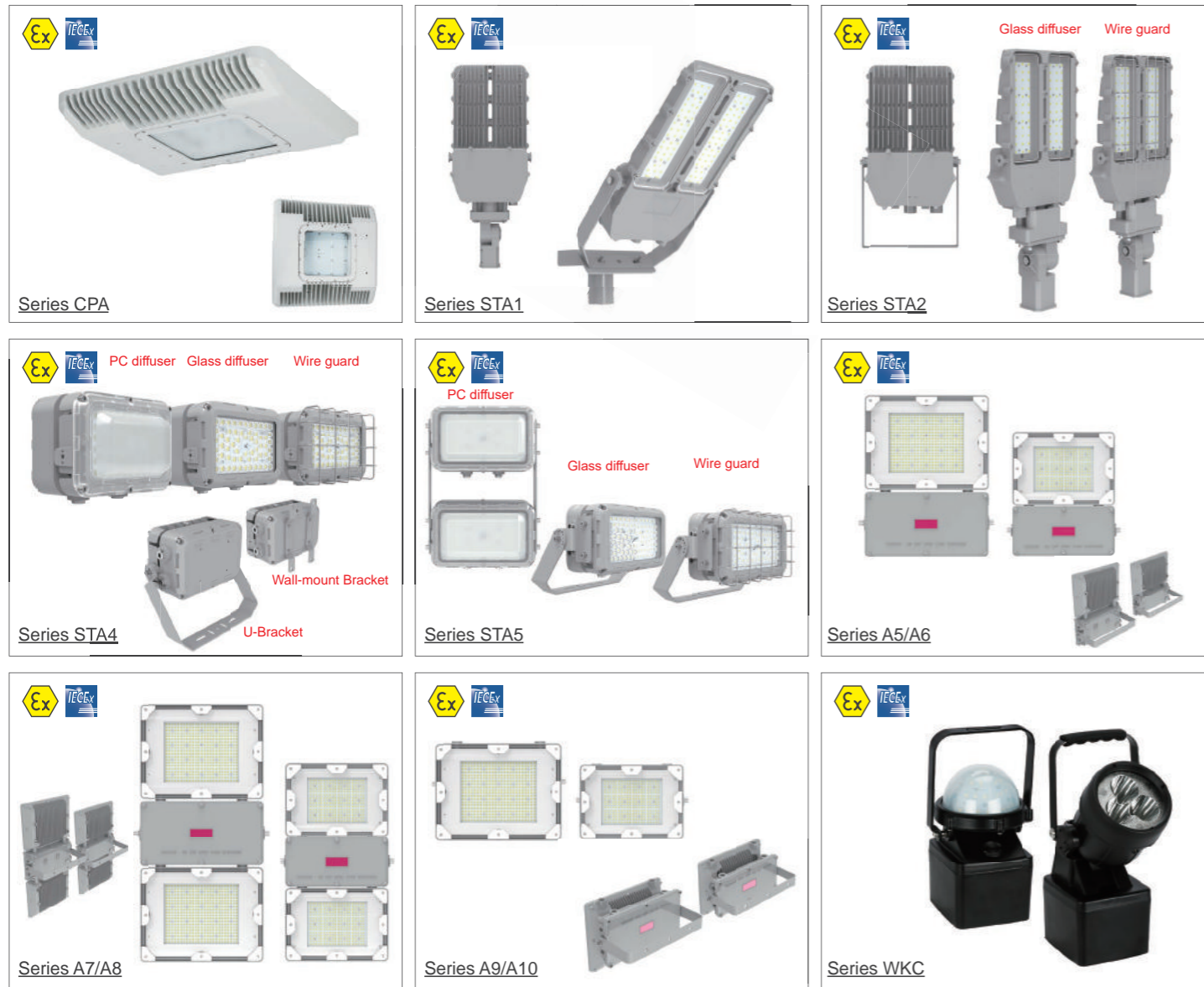
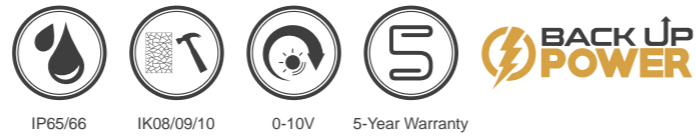
Explosion-proof Light Watt&CCT Tunable



Model Number	FLP2/FLP4	FLH1/2/3/4	HTA2/4	B3/B4	ES04/ES05	Q1A	FLG2/FLG4
Wattage	20W - 60W (FLP2) 20W - 120W (FLP4)	2W - 12W (FLH1) 6W - 25W (FLH2) 10W - 30W (FLH3) 10W - 45W (FLH4)	20W - 50W (HTA2) 20W - 100W (HTA4)	50W - 150W (B3) 100W - 300W (B4)	5W - 15W(ES04) 7W - 10W(ES05)	20W - 60W	20W - 70W (FLG2) 50W - 140W (FLG4)
Efficiency	160lm/W	120lm/W	120lm/W	120lm/W	XXX	150lm/W	180lm/W (with lens) 190lm/W
Hazardous Ratings	Zone 2, Zone 21&22	Zone 2, Zone 21&22	Zone 2, Zone 21&22	Zone 2, Zone 21&22	Zone 2, Zone 21&22	Zone 2, Zone 21&22	Zone 2, Zone 21&22

Zone 2

Explosion-proof Light



EXPLOSION-PROOF SOLAR STREET LIGHT



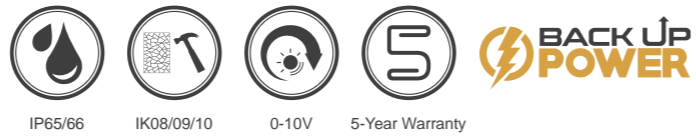
ES02C3
Explosion Proof Emergency Backup Box
Dimensions: 443x267x162mm (17.44x10.51x6.38inch)

- Suitable for Zone 1 & 2 (Gas), Zone 21 & 22 (Dust)
- High luminous efficacy - Up to 120-140 lumens per watt
- 0-10V dimming
- Waterproof and dust-proof, without internal cleaning and maintenance
- Simple structure for easy and quick installation
- Stainless steel fasteners, ADC12 aluminum housing, good corrosion resistance
- Tempered glass, high light transmittance and impact resistance

Model Number	CPA	STA1/2/4	A5/A6	A7/A8	A9/A10	WKC
Wattage	40W - 150W	120W - 240W (STA1) 50W - 120W (STA2) 30W - 60W (STA4)	50W - 240W (A5) 50W - 120W (A6)	100W - 450W (A7) 100W - 240W (A8)	50W - 240W (A9) 50W - 120W (A10)	10W (Max)
Efficiency	130lm/W	STA1/2 120lm/W - 140lm/W STA4 110lm/W - 130lm/W	150lm/W (3500K-4000K) 160lm/W (4000K-6000K)	150lm/W (3500K-4000K) 160lm/W (4000K-6000K)	150lm/W (3500K-4000K) 160lm/W (4000K-6000K)	XXX
Hazardous Ratings	Zone 2, Zone 21&22	Zone 2, Zone 21&22	Zone 2, Zone 21&22	Zone 2, Zone 21&22	Zone 2, Zone 21&22	Zone 2, Zone 21&22

Zone 0&1&2

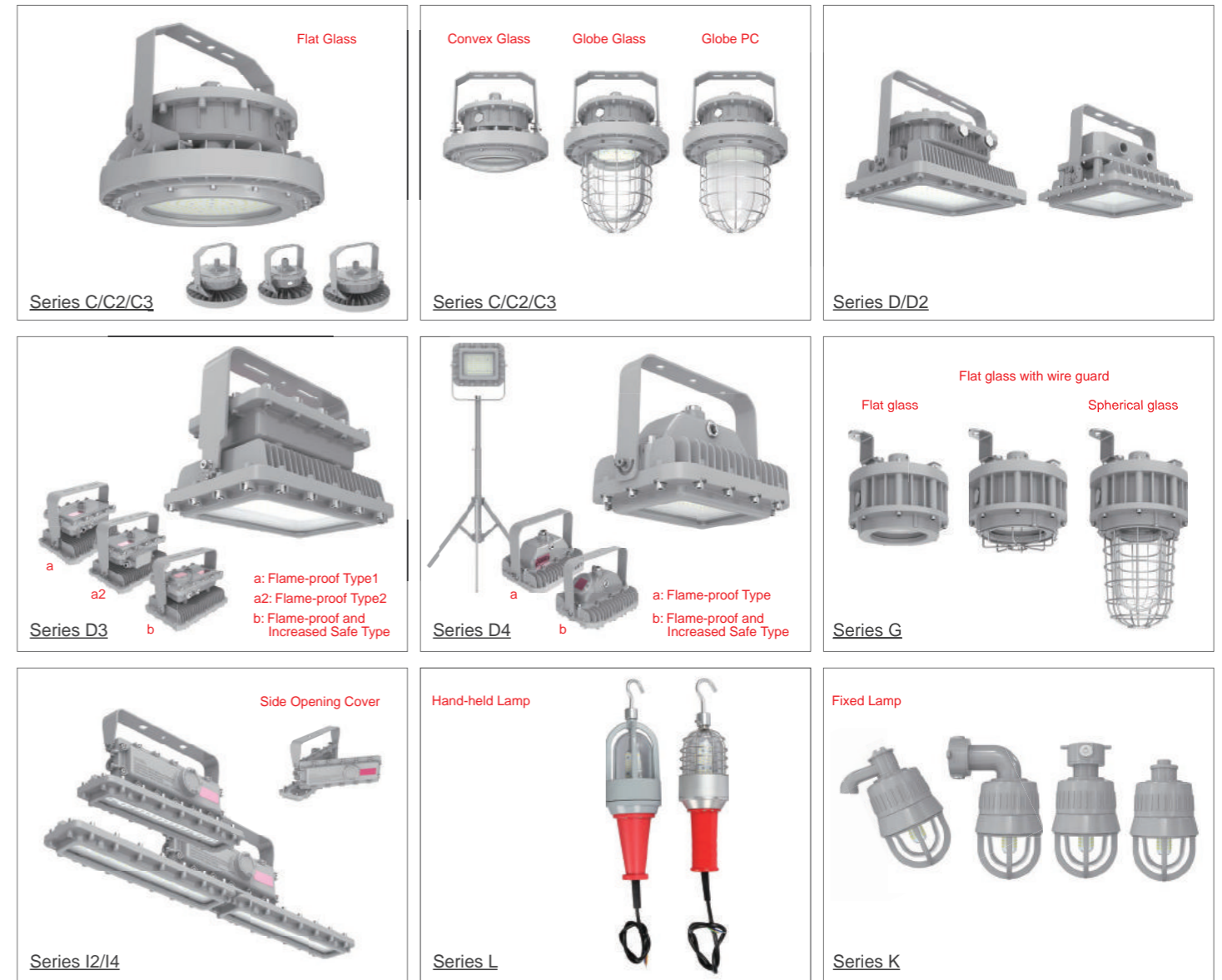
Explosion-proof Light



Model Number	B&Junction Box	SS1	SS2	WKE	WKG	MV01
Wattage	20W - 400W	30W - 50W	30W - 50W	2W (Strong Light) 1W (Work Light)	2W (Strong Light) 1W (Work Light)	19.5W
Efficiency	140lm/W	110lm/W	110lm/W	130lm/W 120lm/W (@200W)	130lm/W 120lm/W (@200W)	
Hazardous Ratings	Zone 1/2 Zone 21/22	Zone 1/2 Zone 21/22	Zone 1/2 Zone 21/22	M1 Underground Zone 0/1/2 Zone 21/22	M1 Underground Zone 0/1/2 Zone 21/22	Zone 0/1/2 Zone 21/22

Class I Division 1

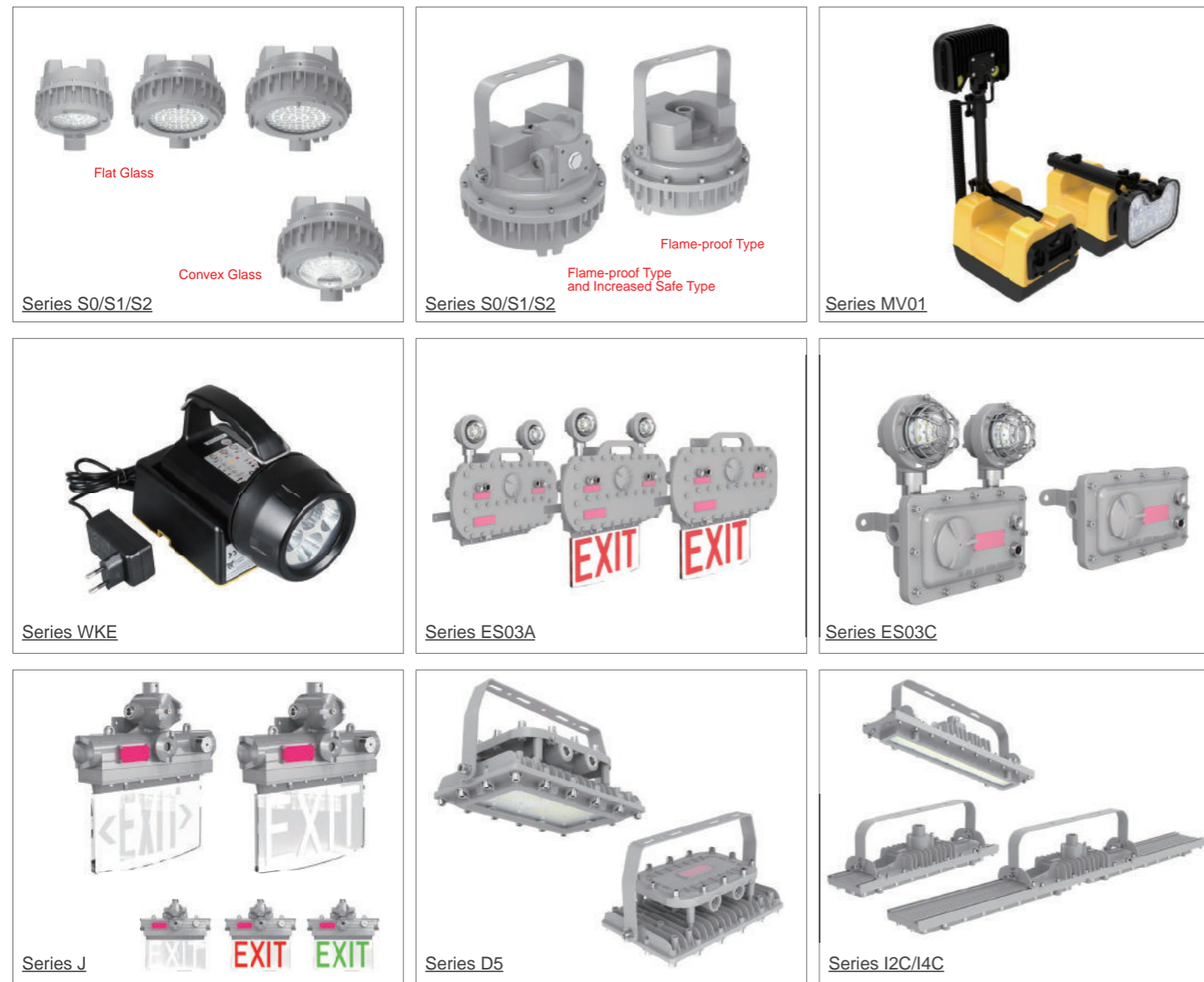
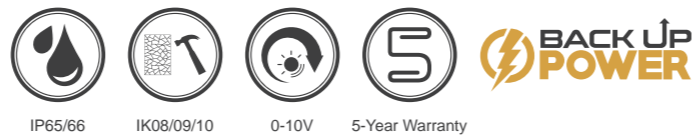
Explosion-proof Light
Watt&CCT Tunable



Model Number	C/C2/C3	D/D2/D3/D4	G	I2/I4	L	K
Wattage	20W - 80W (C2) 100W - 220W (C) 200W - 280W (C3)	20W - 80W (D2) 100W - 220W (D) 80W - 280W (D3) 20W - 100W (D4)	10W - 40W	20W - 100W (I2) 40W - 200W (I4)	5W/10W (for LED Bulbs) 20W/30W/40W (for Incandescent Lamp)	10W - 40W (K1) 10W - 80W (K2)
Efficiency	140lm/W	140lm/W(D/D2/D4) 160lm/W(D3/D4)	114lm/W (10W-20W) 110lm/W (30W-40W)	140lm/W	100lm/W	130lm/W
Hazardous Ratings	CID1/CID2/CIID1/ CIID2/CIII	CID1/CID2/CIID1/ CIID2/CIII	CID1/CID2/CIID1/ CIID2/CIII	CID1/CID2/CIID1/ CIID2/CIII	CID1/CID2/CIID1/ CIID2/CIII	CID1/CID2/CIID1/ CIID2/CIII

Class I Division 1

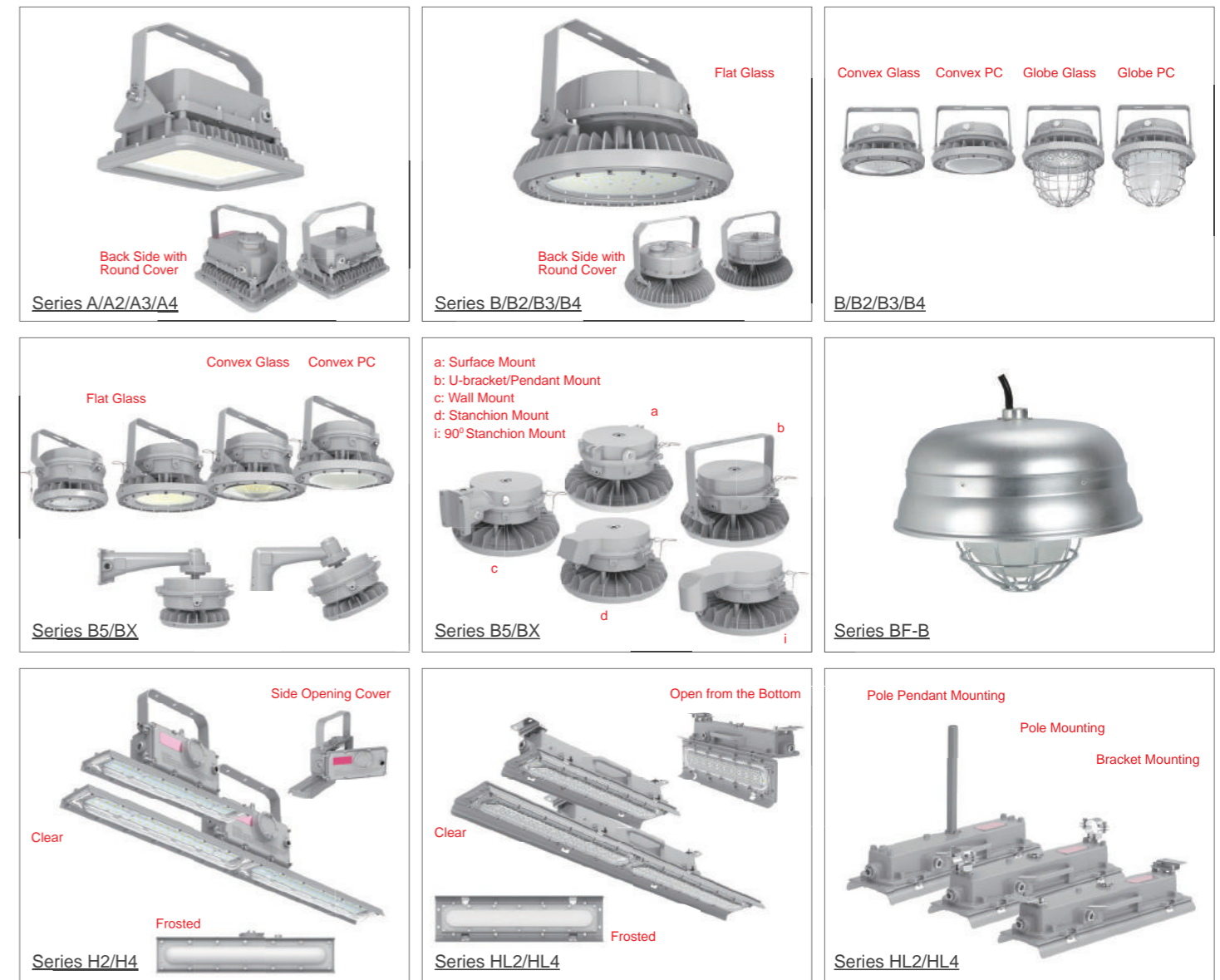
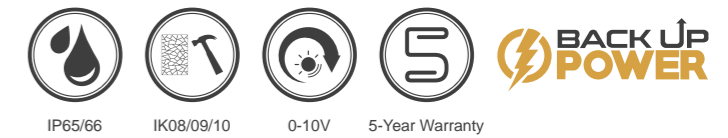
Explosion-proof Light
Watt&CCT Tunable



Model Number	S0/S1/S2	MV01/WKE	ES03A/ES03C	J	D5	I2C/I4C
Wattage	20 - 80W (S0) 20 - 200W (S1) 100 - 280W (S2)	5W - 19.5W(MV01) 2W(WKE)	5W - 20W(ES03A) 8W - 10W(ES03C)	1W - 5W	20 - 120W	20 - 100W (I2C) 100 - 150W (I4C)
Efficiency	140lm/W	xxx	xxx	xxx	140lm/W	140lm/W
Hazardous Ratings	CID1/CID2/CIID1/ CIID2/CIII	CID1/CID2/CIID1/ CIID2/CIII	CID1/CID2/CIID1/ CIID2/CIII	CID1/CID2/CIID1/ CIID2/CIII	CID1/CID2/CIID1/ CIID2/CIII	CID1/CID2/CIID1/ CIID2/CIII

Class I Division 2

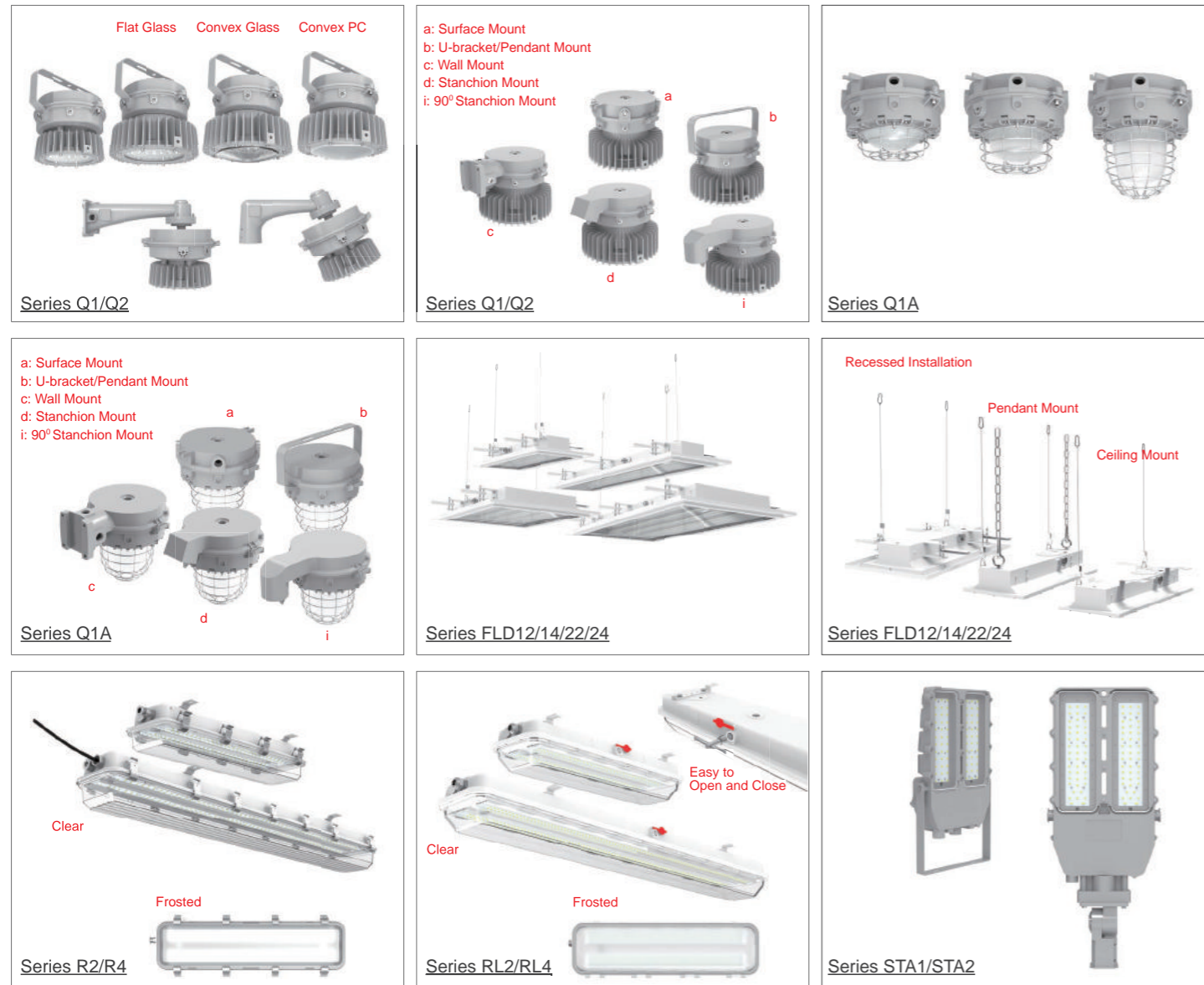
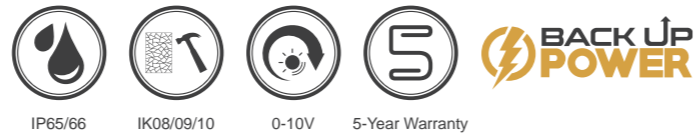
Explosion-proof Light
Watt&CCT Tunable



Model Number	A/A2/A3/A4	B/B2/B3/B4	B5/BX	BF-B	H2/H4	HL2/HL4
Wattage	20W - 80W (A2) 60W - 150W (A) 120W - 240W (A3) 250W - 550W (A4)	20W - 80W (B2) 20W - 150W (B) 20W - 240W (B3) 150W - 550W (B4)	20W - 150W (B5) 20W - 240W (BX)	20W - 100W	20W - 100W (H2) 40W - 200W (H4)	20W - 100W (HL2) 40W - 200W (HL4)
Efficiency	160lm/W	150lm/W	150lm/W	150lm/W	160lm/W	150lm/W
Hazardous Ratings	CID2/CIID1/ CIID2/CIII	CID2/CIID1/ CIID2/CIII	CID2/CIID1/ CIID2/CIII	CID2/CIID1/ CIID2/CIII	CID2/CIID1/ CIID2/CIII	CID2/CIID1/ CIID2/CIII

Class I Division 2

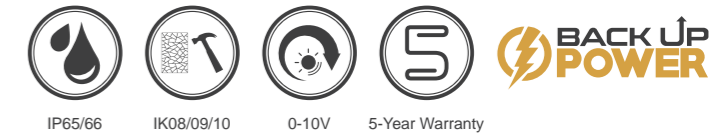
Explosion-proof Light Watt&CCT Tunable



Model Number	Q1/Q2	Q1A	FLD12/14/22/24	R2/R4	RL2/RL4	STA1/STA2
Wattage	20W - 150W (Q1) 20W - 240W (Q2)	20W - 100W	15W - 30W (FLD12) 15W - 60W (FLD14) 15W - 60W (FLD22) 15W - 120W (FLD24)	10W - 60W (R2) 30W - 100W (R4)	10W - 60W (RL2) 20W - 100W (RL4)	100W - 200W (STA1) 120W (STA2)
Efficiency	160lm/W	150lm/W	150lm/W	150lm/W	150lm/W	140lm/W-150lm/W
Hazardous Ratings	CID2/CIID1/ CIID2/CIII	CID2/CIID1/ CIID2/CIII	CID2/CIID2/ CIII	CID2/CIID1/ CIID2/CIII	CID2/CIID1/ CIID2/CIII	CID2/CIID1/ CIID2/CIII

Class I Division 2

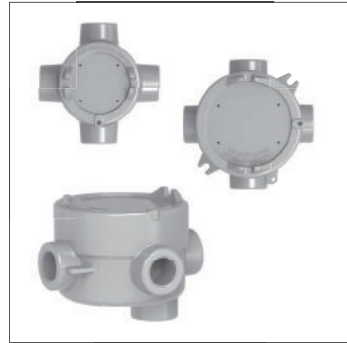
Explosion-proof Light Watt&CCT Tunable



Model Number	FLF2/3/4/5	FLG2/4/FLP2/4	FLH1/2/3/4	HTA2/4/B3B4	O2	V/ES04/ES05
Wattage	20W - 40W (FLF2) 20W - 60W (FLF3) 20W - 80W (FLF4) 20W - 100W (FLF5)	20W - 70W (FLG2) 50W - 140W (FLG4) 20W - 60W (FLP2) 20W - 120W (FLP4)	2W - 12W (FLH1) 6W - 25W (FLH2) 10W - 30W (FLH3) 10W - 45W (FLH4)	20W - 50W (HTA2) 20W - 100W (HTA4) 50W - 150W (B3) 100W - 300W (B4)	15W - 40W	5W (V) 5W - 15W (ES04) 7W - 10W (ES05)
Efficiency	150lm/W - 160lm/W	180lm/W (with lens) 190lm/W (FLG2/4) 160lm/W (FLP2/4)	120lm/W	120lm/W	100lm/W	xxx
Hazardous Ratings	CID2/CIID1/ CIID2/CIII	CID2/CIID1/ CIID2/CIII	CID2/CIID1/ CIID2/CIII	CID2/CIID1/ CIID2/CIII	CID2/CIID1/ CIID2/CIII	CID2/CIID1/CIID2/ CIII (V) CID2/CIID2/CIII (ES04/05)

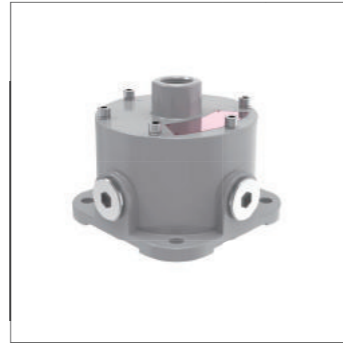
Explosion-proof Electrical Equipment

Zone 1&2, Zone 21&22
Class I Division 1&2
Class II Division 1&2



Junction Box

Series: EX-HD51
Voltage: Max.800V
Current: 24A, 32A, 41A
Degree of Protection: IP66/IP67
Class I Division 1&2
Zone 1&2, Zone 21&22



Cable Junction Box

Series: EX-HD51-KB1
Voltage: Max AC800V
Degree of Protection: IP66
Terminal block: Max.4
Cable entry: Max.5
2.5mm²/24A:
1/2" NPT/M20x1.5;
2.5mm²/24A, 4mm²/27A:
3/4" NPT/M25x1.5
Class I Division 1; Zone 1



Installation Arm

Series: EX-HD51-KYD
Voltage: Max AC800V
Degree of Protection: IP66
Terminal block: Max.4
Cable entry: Max.4
2.5mm²/24A:
1/2" NPT/M20x1.5;
2.5mm²/24A, 4mm²/27A:
3/4" NPT/M25x1.5
Class I Division1; Zone 1



Gas Detector IN01

Series: EX-IN01-A/B/C/D
Working Temperature:
-60°C to 70°C /-60°C to 85°C
-76°F to 158°F /-76°F to 185°F
Voltage: DC24V
Degree of Protection: IP66
Class I Division 1&2
Class II Division 1&2
Zone 1&2, Zone 21&22



EX-PROOF iPhone14

Series: EX-MP
Charger: AC100-240V, 50/60Hz
Dimension: 107x180x30mm
Net Weight: 672 grams
Protection: IP66/IK08
Class I Division 1
Zone 1&2



Indicators

Series: EX-D
Voltage: AC400V, 50/60HZ
AC220-415V, 50/60HZ
DC220V, AC/DC48-120V
AC/DC12-36V
IP66-IP67
Zone 1&2, Zone 21&22



Lighting Control Sensor (Motion Sensor)

Series: EX-IN01-B-MS/OS/MO
Voltage: AC120-277V, 50Hz
Degree of Protection: IP66/67
Class I Division 1&2
Class II Division 1&2
Zone 1&2, Zone 21 &22



Lighting Control Sensor (Motion Sensor)

Series: EX-IN02-MS/OS/MO
Working Temperature:
-25°C ~ 60°C(-13°F~ 140°F)
Voltage: AC120-277V
AC120-347V
Degree of Protection: IP66
Class I Division 2
Class II Division 1&2
Zone 1&2, Zone 21



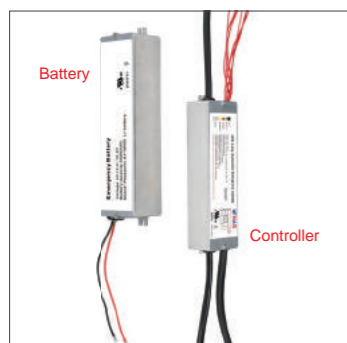
Connector

Series: EX-GJ
Structure type: F/F, M/M, M/F
Current: 16A, 32A, 63A,
125A (optional)
Degree of Protection: IP66-IP68
Ambient Temperature:
-60°Cto + 100 °C
Zone 1&2, Zone 21 & 22



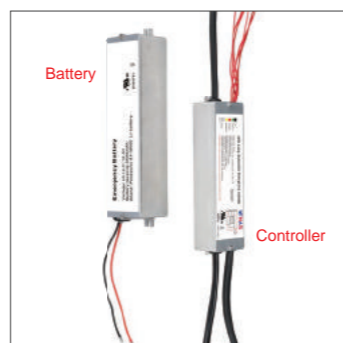
Cable Glands

Series: EX-QM
Seal type: Single seal/Double Seal
Suitable for:
Armored cable/Unarmored cable
Entry thread: Metric or NPT
Degree of Protection: IP66-IP68
Zone 1&2, Zone 21&22



TGA(Controller+Battery)

Controller: EM-15W-HL(A)
Battery: EM-15W-HL(B)
Emergency Pack for
A,A3,A4,
B,B3, B4,
C,C3,D,
H,I,STA,
R Series Luminaires
UL924, UL844, IEC60079
Class I Division 1&2
Class II Division 1&2
Zone 1&2, Zone 21 &22



EX-PROOF Emergency Power

Input: AC100-277V, 50/60Hz
0.5A Max.
9W Max.
Output: DC42-50V,
300mA Max.
15W Max.
Emergency Time: Min. 90 min
Li-ion Battery: 14.8V 2000mAh
UL924, UL 844, IEC60079
Class I Division 1&2
Class II Division 1&2
Zone 1&2, Zone 21 &22



Installation Switch

Series: EX-ZM
Voltage: Max. AC690V
Current:16A,25A
Degree of Protection: IP66
Zone 1&2, Zone 21&22



Control Unit System

Series: EX-ZA65
Optional Kit: Indicator/Switch/
Ammeter/Voltmeter
Degree of Protection: IP66
Zone 1&2, Zone 21&22

Zone 1&2, Zone 21&22
Class I Division 1

Explosion-proof Electrical Equipment

Zone 1&2, Zone 21&22



Alloy Plug and Socket

Series: EX-CZ81-16/32/63/125
Current: 16A,32A,63A,
125A(optional)
Degree of Protection: IP66/IP67
Zone 1&2, Zone 21&22



GRP Plug and Socket

Series: EX-CZ82-16/32/63/125
Current: 16A,32A,63A,
125A(optional)
Degree of Protection: IP66
Zone 1&2, Zone 21&22



Seal Bushings

Series: EX-AG
Connection Thread:
1. Metric thread
2. NPT or other thread(optional)
Degree of Protection: IP66/IP67
Zone 1&2, Zone 21&22



Instrument Enclosure

Degree of Protection: IP66/67
Class I Division 1&2
Zone 1&2, Zone 21&22
Class I Division 1&2
Class II Division 1&2
Zone 1&2, Zone 21&22



Distribution Equipment

Series: EJB
Voltage: Max. AC800V
50/60Hz
Current: 415A
Degree of Protection: IP66
Zone 1&2, Zone 21 &22



Distribution Equipment

Series: EX-PD61
Voltage: Max. AC800V
50/60Hz
Current: 415A
Degree of Protection: IP66
Zone 1&2, Zone 21&22



Stainless Steel Terminal Box

Series: EX-PD62
Voltage: Max AC1100V
Current: 24A/32A/41A
57A/76A/115A/126A/
184A/218A/265A/350A
Degree of Protection: IP66
Zone 1,2, Zone 21,22



GRP Terminal Box

Series: EX-PD65
Voltage: Max .AC690V
Current: 24A/32A/41A/57A/76A/125A
Degree of Protection: IP66
Zone 1,2, Zone 21,22

Explosion-proof Electrical Equipment

Zone 1&2, Zone 21&22



Stainless Steel Distribution Board

Series: EX-PD62
Voltage: Max AC1100V
Current: 24A/32A/41A
57A/76A/115A/126A/
184A/218A/265A/350A
Degree of Protection: IP66
Zone 1,2, Zone 21,22



GRP Distribution Board

Series: EX-PD65
Voltage: Max .AC690V
Current: 24A/32A/41A/57A/76A/125A
Degree of Protection: IP66
Zone 1,2, Zone 21,22



Control Switch

Series: EX-PD66
Voltage: Max .AC690V
Current: 24A/32A/41A/57A/76A/125A
Degree of Protection: IP66
Zone 1,2, Zone 21,22



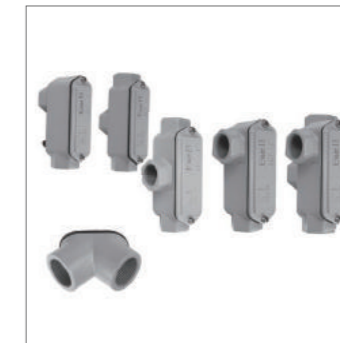
Electrical Box

Series: EX-PD67
Enclosure: 304 stainless steel,
316L stainless steel
Ambient temperature :
-60°C to +60°C / -60°C to +40°C
Zone 1,2, Zone 21,22



Backup Box

Series: EX-ES02C3
Dimensions: 443x267x162mm
(17.44x10.51x6.38inch)
Zone 2



Alloy Bushings

Series: EX-HC
Connection Thread:
1. Metric thread
2. NPT or other thread(optional)
Thread Pitch:
Metric thread: 15mm
Other thread: Customizable
Ambient Temperature: -60°Cto +70°C



Pushbuttons

Series: EX-A
Connection Thread: Metric thread
Ui: 690V; Ith=10A
Power: ≤3W
Degree of Protection:
IP66-IP67
Ambient Temperature:
-60°C to +100°C